



Taylor Swift

Love Story

Teachers Resource

Lyrics
Lyrics + Chords
Bass
Guitar
Piano / Keyboard
Drum Kit
Ukulele

Uses 4 Chords:
D, A, Bm, G

Lyrics

Verse 1:

We were both young when I first saw you.
I close my eyes and the flashback starts:
I'm standing there,
On a balcony in summer air.
See the lights, see the party, the ball gowns.
See you make your way through the crowd
And say, "Hello,"
Little did I know...

Pre-Chorus 1:

That you were Romeo, you were throwing
pebbles,
And my daddy said, "Stay away from Juliet"
And I was crying on the staircase
Begging you, "Please don't go"
And I said...

Chorus 1:

Romeo, take me somewhere we can be alone.
I'll be waiting; all that's left to do is run.
You'll be the prince and I'll be the princess,
It's a love story, baby, just say, "Yes".

Verse 2:

So I sneak out to the garden to see you.
We keep quiet 'cause we're dead if they knew
So close your eyes...
Escape this town for a little while. Oh, oh.

Pre-Chorus 2:

'cause you were Romeo - I was a scarlet letter,
And my daddy said, "Stay away from Juliet"
But you were everything to me,
I was begging you, "Please don't go"
And I said...

Chorus 2:

Romeo, take me somewhere we can be alone.
I'll be waiting; all that's left to do is run.
You'll be the prince and I'll be the princess.
It's a love story, baby, just say, "Yes".
Romeo, save me, they're trying to tell me how
to feel.
This love is difficult but it's real.
Don't be afraid, we'll make it out of this mess.
It's a love story, baby, just say, "Yes".

Oh, oh.

Bridge:

I got tired of waiting
Wondering if you were ever coming around.
My faith in you was fading
When I met you on the outskirts of town.
And I said...

Chorus 3:

Romeo, save me, I've been feeling so alone.
I keep waiting for you but you never come.
Is this in my head? I don't know what to think.
He knelt to the ground and pulled out a ring
and said...
Marry me, Juliet, you'll never have to be alone.
I love you, and that's all I really know.
I talked to your dad - go pick out a white dress
It's a love story, baby, just say, "Yes".

Oh, oh, oh, oh, oh.

'cause we were both young when I first saw
you

Lyrics + Chords

Intro: D, A, Bm, G

Verse 1:

D
We were both young when I first saw you.
G
I close my eyes and the flashback starts:
Bm
I'm standing there,
G
On a balcony in summer air.
D
See the lights, see the party, the ball gowns.
G
See you make your way through the crowd
Bm
And say, "Hello,"
A
Little did I know...

Pre-Chorus 1:

G A
That you were Romeo, you were throwing pebbles,
Bm D
And my daddy said, "Stay away from Juliet"
G
And I was crying on the staircase
A Bm
Begging you, "Please don't go"
D
And I said...

Chorus 1:

D
Romeo, take me somewhere we can be alone.
A
I'll be waiting; all that's left to do is run.
Bm
You'll be the prince and I'll be the princess,
G A D
It's a love story, baby, just say, "Yes".

Verse 2:

D
So I sneak out to the garden to see you.
G
We keep quiet 'cause we're dead if they knew
Bm
So close your eyes...
A
Escape this town for a little while. Oh, oh.

Pre-Chorus 2:

 G A
'cause you were Romeo - I was a scarlet letter,
 Bm D
And my daddy said, "Stay away from Juliet"
 G
But you were everything to me,
 A Bm
I was begging you, "Please don't go"
D
 And I said...

Chorus 2:

D
Romeo, take me somewhere we can be alone.
A
I'll be waiting; all that's left to do is run.
Bm
You'll be the prince and I'll be the princess,
G A
It's a love story, baby, just say, "Yes"
D
Romeo, save me, they're trying to tell me how to feel.
A
 This love is difficult but it's real.
Bm
Don't be afraid, we'll make it out of this mess.
G A
It's a love story, baby, just say, "Yes".

Interlude: D, A, Bm, G

Bridge:

 Bm G
I got tired of waiting
 D A
Wondering if you were ever coming around.
 Bm G
My faith in you was fading
 D A
When I met you on the outskirts of town.
And I said...

Taylor Swift - Love Story

Chorus 3:

D
Romeo, save me, I've been feeling so alone.

A
I keep waiting for you but you never come.

Bm
Is this in my head? I don't know what to think.

G A
He knelt to the ground and pulled out a ring and said...

D
Marry me, Juliet, you'll never have to be alone.

A
I love you, and that's all I really know.

Bm
I talked to your dad - go pick out a white dress

G A
It's a love story, baby, just say, "Yes".

D, A, Bm,
G D
'cause we were both young when I first saw you

Check Bass Tuning

Remember to tune your strings from low to high
E, A, D, G

Bass

This song uses four chords in different combinations throughout: D, A, Bm, and G. Shown below are the intro / interlude chords with a suggested rhythm;

D D A A B B G G

Learn which note to play for each chord and follow the lyric + chord sheet. You will be able to play along to the song with these four notes.

Note: In the actual track there is a key change in the final chorus which isn't given here. If you wish to play it then move the notes up 2 frets.

Intro / Verse 1:

There is no bass in the intro. Join in halfway through the 1st verse i.e “See the lights, see the party, the ball gowns....”

Chorus 3:

The first half of this chorus is a build up with the bass joining in on the third line i.e “Is this in my head? I don't know what to think”.

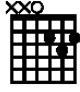
Listen to the song and you will hear what rhythms to play and when to play loud / quiet.

Guitar

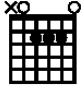
Check Guitar Tuning
Remember to tune your strings from low to high
E, A, D, G, B, E

This song uses four chords in different combinations throughout. These are D, A, Bm and G. Given is the intro / interlude chords;

D




A

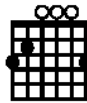


		2-222-2222	2-222-2222	2-222-2222	2-222-2222	0-000-0000	0-000-0000	0-000-0000	0-000-0000
T	.4	3-333-3333	3-333-3333	3-333-3333	3-333-3333	2-222-2222	2-222-2222	2-222-2222	2-222-2222
A	.4	2-222-2222	2-222-2222	2-222-2222	2-222-2222	2-222-2222	2-222-2222	2-222-2222	2-222-2222
B		0-000-0000	0-000-0000	0-000-0000	0-000-0000	0-000-0000	0-000-0000	0-000-0000	0-000-0000

Bm



G



	2-222-2222	2-222-2222	2-222-2222	2-222-2222	3-333-3333	3-333-3333	3-333-3333	3-333-3333	3-333-3333
	3-333-3333	3-333-3333	3-333-3333	3-333-3333	0-000-0000	0-000-0000	0-000-0000	0-000-0000	0-000-0000
	4-444-4444	4-444-4444	4-444-4444	4-444-4444	0-000-0000	0-000-0000	0-000-0000	0-000-0000	0-000-0000
	4-444-4444	4-444-4444	4-444-4444	4-444-4444	0-000-0000	0-000-0000	0-000-0000	0-000-0000	0-000-0000
	2-222-2222	2-222-2222	2-222-2222	2-222-2222	2-222-2222	2-222-2222	2-222-2222	2-222-2222	2-222-2222
					3-333-3333	3-333-3333	3-333-3333	3-333-3333	3-333-3333

Learn to play and change between these four chords. Then you will be able to follow the lyrics + chord sheet through the whole song.

Bm is a barre chord. Put your 1st finger across all of the strings on the 2nd fret then add the other fingers as marked. Alternatively if you are struggling then omit some of the notes, for example playing only the top 3 or bottom 3 notes.

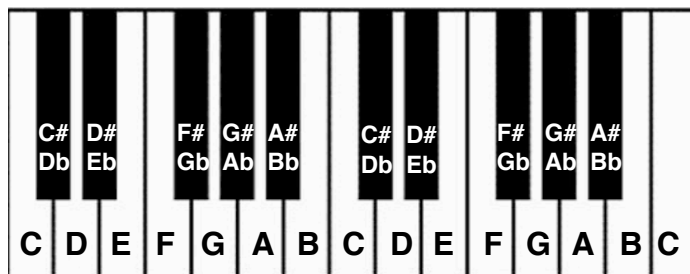
Note: In the actual track there is a key change in the final chorus which isn't given here. If you wish to play it then you have to move the chords up a tone i.e E, B, C#m and A.

Chorus 3:

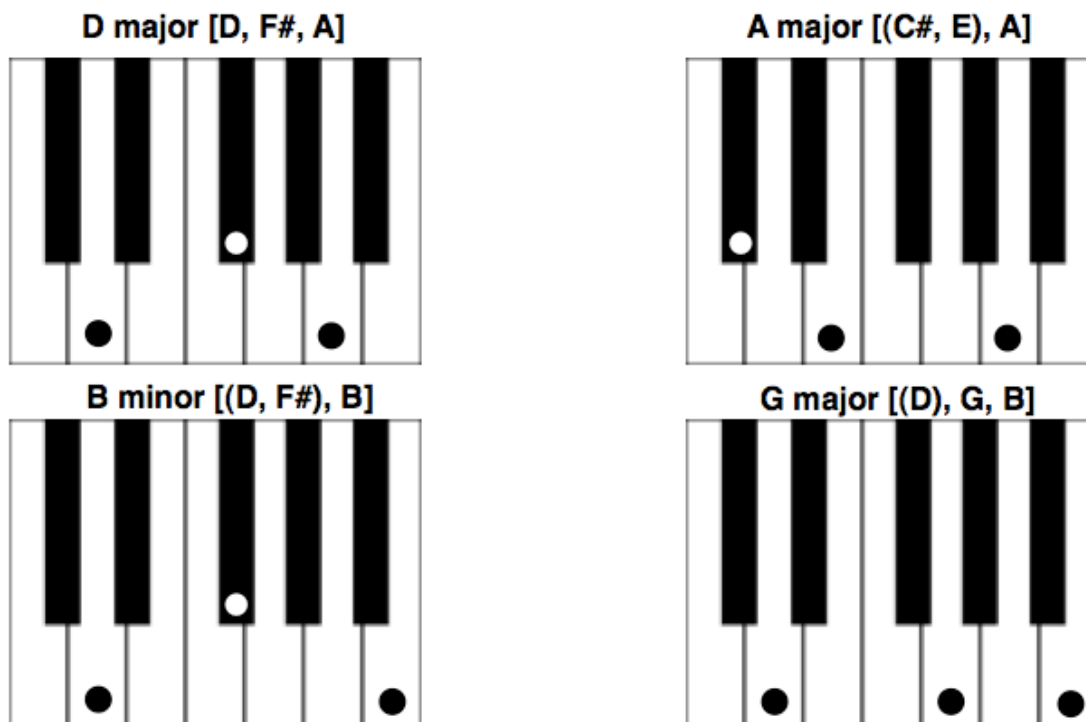
The first half of this chorus is a build up with the guitar joining in on the third line i.e "Is this in my head? I don't know what to think".

Listen to the song and you will hear what rhythms to play and when to play loud / quiet.

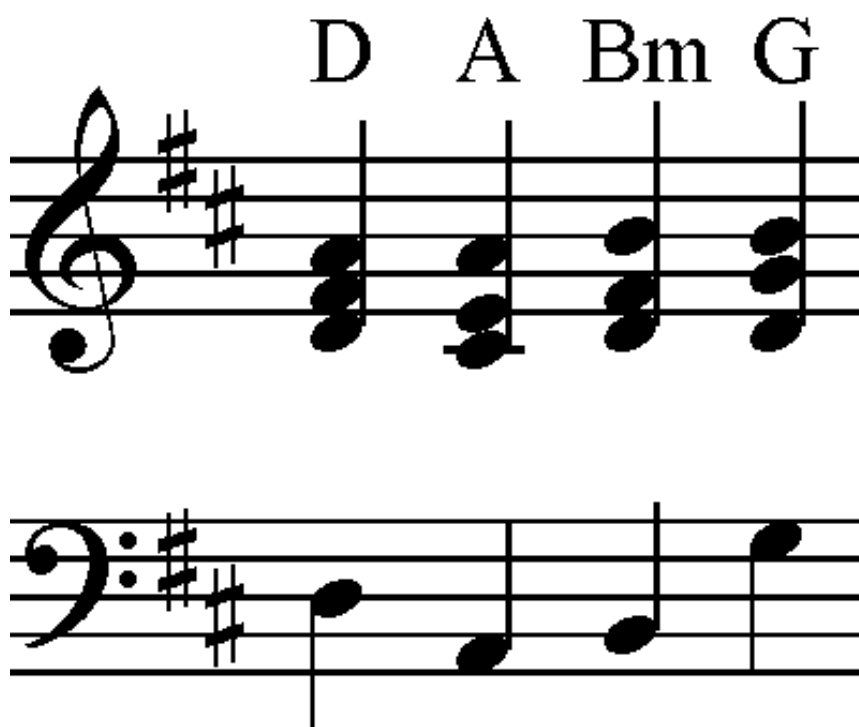
Piano / Keyboard:



This song uses four chords in different combinations throughout. These are D, A, Bm and G;



Here are how they look written out;



(Piano / Keyboard)

Once you have learnt the above chords you can follow the lyrics + chord sheet for the song. Listen to the song and you will hear what rhythms to play and when to play loud / quiet.

Note: In the second half of the last chorus there is a key change which isn't given here. To play this move all the chords up a tone i.e E, B, C#m and A.

Alternatively for the intro / interlude you could play the picked guitar part in the right hand;

Musical notation for the first system of the intro/interlude. It consists of two staves: a treble clef staff and a bass clef staff, both in 4/4 time. The treble staff contains a melodic line of eighth notes: F#4-A4-E4-D4-E4-D4-A4, repeated in four measures. The bass staff contains a bass line: D3 in the first two measures, and A2 in the last two measures. Chord symbols are placed below the treble staff: F#A E D E D A D, F#A E D E D A D, E A E D E D A D, and E A E D E D A D.

Musical notation for the second system of the intro/interlude. It consists of two staves: a treble clef staff and a bass clef staff, both in 4/4 time. The treble staff contains a melodic line of eighth notes: F#4-B4-E4-D4-E4-B4-D4, repeated in four measures. The bass staff contains a bass line: B2 in the first two measures, and G2 in the last two measures. Chord symbols are placed below the treble staff: F#B E D E D B D, F#B E D E D B D, G A E D E D A D, and G A E D E D A D.

Drum Kit

Verse 1:

There is a simple bass drum rhythm for the 1st verse;



If you listen to the song you will hear the drummer plays interjecting tom / hi-hat hits. You can add these as you feel.

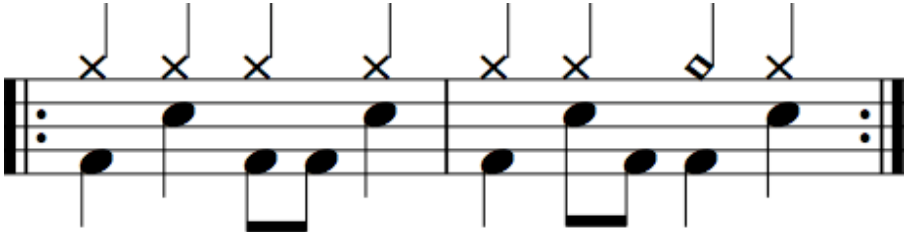
Pre-Chorus:



Chorus:



Verse 2:



Bridge:



Chorus 3:

The first half of the last chorus is a build up;



This gets gradually louder until the second half kicks in where you play the normal chorus beat.

Verse 1:

There is a simple bass drum rhythm for the 1st verse;

	1	&	2	&	3	&	4	&
Bass	X		X		X	X	X	

If you listen to the song you will hear the drummer plays interjecting tom / hi-hat hits. You can add these as you feel.

Pre-Chorus:

	1	&	2	&	3	&	4	&	1	&	2	&	3	&	4	&
Hi-Hat	X		X		X		X		X		X		O		X	
Snare															X	
Bass	X			X	X				X			X	X			

Chorus:

	1	&	2	&	3	&	4	&
Crash	X		X		X		X	
Snare			X				X	
Bass	X						X	

Verse 2:

	1	&	2	&	3	&	4	&	1	&	2	&	3	&	4	&
Hi-Hat	X		X		X		X		X		X		O		X	
Snare			X				X				X				X	
Bass	X				X	X			X			X	X			

Bridge:

	1	&	2	&	3	&	4	&	1	&	2	&	3	&	4	&
Crash	X							X	X							
Hi-Hat													O			
Bass	X							X	X							
Hi-Hat Pedal					X											

Chorus 3:

The first half of the last chorus is a build up;

	1	&	2	&	3	&	4	&
Bass	X	X	X	X	X	X	X	X

This gets gradually louder until the second half kicks in where you play the normal chorus beat.

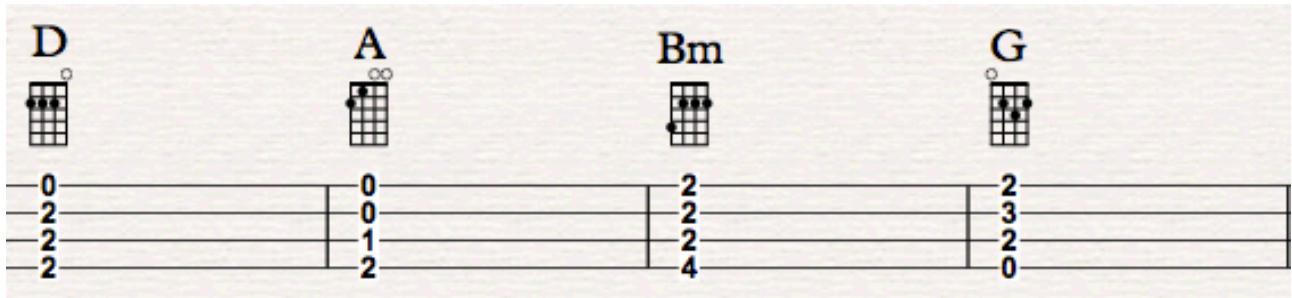
Check Ukulele Tuning

Remember to tune
your strings
G, C, E, A

Taylor Swift - Love Story

Ukulele

This song uses four chords in different combinations throughout. These are D, A, Bm and G. Given is the intro / interlude chords;



Learn to play and change between these four chords. Then you will be able to follow the lyrics + chord sheet through the whole song.

Playing Bm is quite difficult. If you are struggling then feel free to omit the 4th fret on the G-string.

Note: In the actual track there is a key change in the final chorus which isn't given here. If you wish to play it then you have to move the chords up a tone i.e E, B, C#m and A.

Chorus 3:

The first half of this chorus is a build up with the ukulele joining in on the third line i.e "Is this in my head? I don't know what to think".

Listen to the song and you will hear what rhythms to play and when to play loud / quiet.